




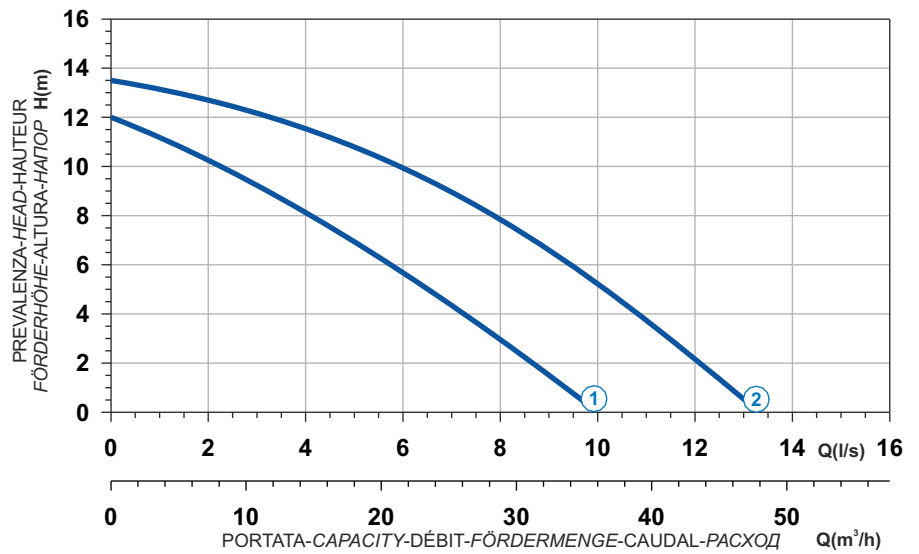
 Acciaio inox e ghisa  
 Acier inoxydable et fonte  
 Acero inox y hierro fundido

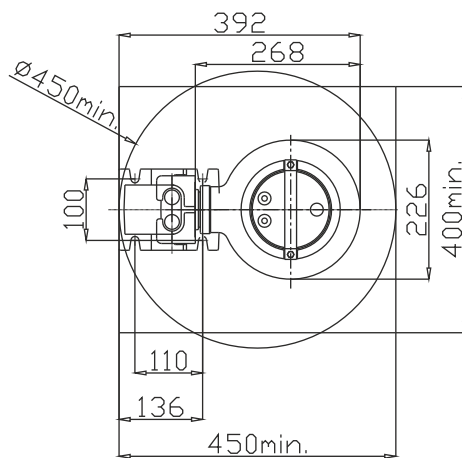
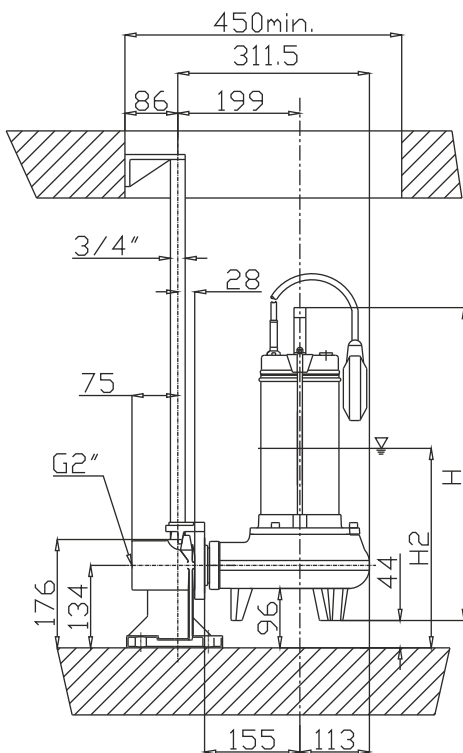
 Stainless steel and cast iron  
 Edelstahl und Grauguss  
 Нержавеющая сталь и чугун

Curva caratteristica - Performance curve - Courbe caractéristique  
 Kennlinie - Curva característica - Характеристическая кривая

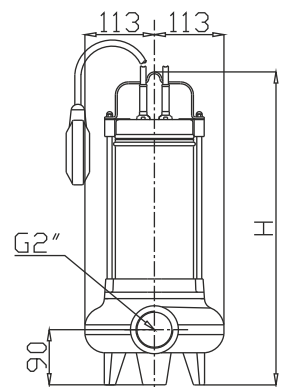


Curve N°	Code	Type	MOTOR				Free passage (mm)	Discharge	Weight (Kg)
			Power supply	R.P.M.	Rated power P2 (kW)	Rated current I (A)			
1	8001845	LVG-11MB1-50	1ph 230V 50Hz	2850	1,1	7,5	50	2"	20
2	8002336	LVG-15MB1-50	1ph 230V 50Hz	2850	1,5	10,5	50	2"	22

Dimensioni - Dimensions - Dimensions - Abmessungen - Dimensiones - Габариты (mm)



▽ LIVELLO MINIMO DI SOMMERGIBILITÀ  
 MINIMUM SUBMERSIBLE LEVEL  
 NIVEAU MINIMUM D'IMMERSION  
 MINDESTWASSERSTAND  
 NIVEL SUMERGIBLE MÍNIMO  
 МИНИМАЛЬНАЯ ГЛУБИНА ПОГРУЖЕНИЯ



Curve	Code	Type	H	H2
1	8001845	LVG-11MB1-50	480	314
2	8002336	LVG-15MB1-50	500	324